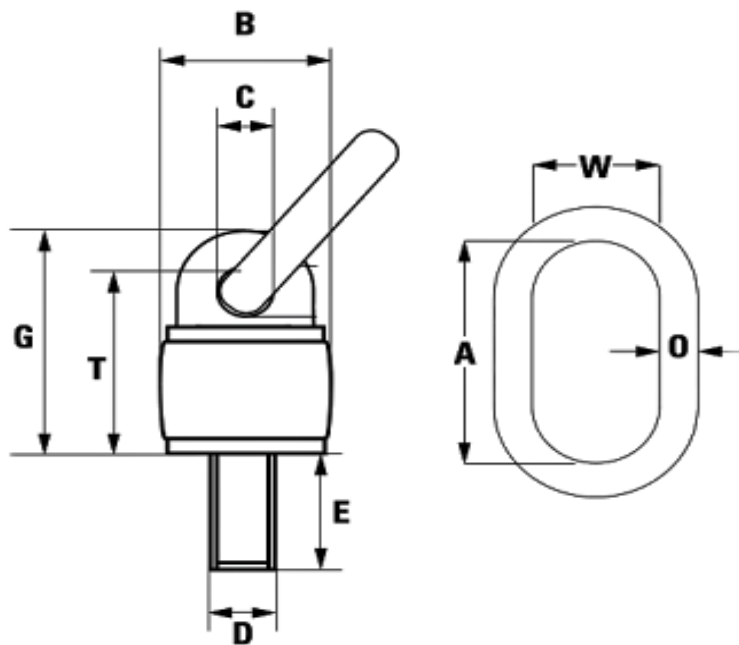


Swivel Eye Bolt with Load Ring Grade 80 Specifications



Product Code	Part No.	W.L.L 0°	W.L.L 90°	D x E	B	C	G	T	A	W	O	Torque	Weight
		t	t	mm	mm	mm	mm	mm	mm	mm	mm	Nm	kg
G80SLP813	SLR303-M8	0.6	0.3	M8 x 13	36	16.5	51	41	55	30	14	10-15	0.45
G80SLP1018	SLR303-M10	1	0.5	M10 x 18	36	16.5	51	41	55	30	14	10-15	0.45
G80SLP1090	SLR303-M10x90	1	0.5	M10 x 90	36	16.5	51	41	55	30	14	10-15	0.5
G80SLP1218	SLR303-M12	1	0.5	M12 x 18	36	16.5	51	41	55	30	14	10-15	0.46
G80SLP12110	SLR303-M12x110	1	0.5	M12 x 110	36	16.5	51	41	55	30	14	10-15	0.54
G80SLP1620	SLR303-M16	2.24	1.12	M16 x 20	36	16.5	52	42	55	30	14	20-30	0.47
G80SLP16120	SLR303-M16x120	2.24	1.12	M16 x 120	36	16.5	52	42	55	30	14	20-30	0.63
G80SLP2030	SLR303-M20	4	2	M20 x 30	49.5	19	68	56	70	35	16	50-70	0.99

G80SLP20120	SLR303-M20x120	4	2	M20 x 120	49.5	19	68	56	70	35	16	50-70	1.12
G80SLP2440	SLR303-M24	6.3	3.15	M24 x 40	57	22	78	65.5	85	40	18	130-160	1.36
G80SLP24120	SLR303-M24x120	6.3	3.15	M24 x 120	57	22	78	65.5	85	40	18	130-160	1.65
G80SLP3045	SLR303-M30	10.6	5.3	M30 x 45	66	23.5	96.5	80.5	85	40	22	200-250	2.36
G80SLP30120	SLR303-M30x120	10.6	5.3	M30 x 120	66	23.5	96.5	80.5	85	40	22	200-250	2.77
G80SLP3650	SLR303-M36	12.8	8	M36 x 50	80	27	109	89.5	115	50	22	280-400	3.88
G80SLP36140	SLR303-M36x140	12.8	8	M36 x 140	80	27	109	89.5	115	50	22	280-400	4.6
G80SLP4260	SLR303-M42	16	10	M42 x 60	80	27	109	89.5	115	50	25	500-600	4.56
G80SLP42160	SLR303-M42x160	16	10	M42 x 160	80	27	109	89.5	115	50	25	500-600	5.65
G80SLP4560	SLR303-M45	16	10	M45 x 60	80	27	109	89.5	115	50	25	500-600	4.7
G80SLP4872	SLR303-M48	16	10	M48 x 72	80	27	109	89.5	115	50	25	500-650	4.9
G80SLP48160	SLR303-M48x160	16	10	M48 x 160	80	27	109	89.5	115	50	25	500-650	6.18
G80SLP5684	SLR303-M56	24	15	M56 x 84	117	42	246	214	152	70	32	600-900	11.8
G80SLP6495	SLR303-M64	24	15	M64 x 95	117	42	257	225	152	70	32	600-900	12.5



Leg	1	1	2	2	2		3 or 4		3 or 4
Angle	0°	90°	0°	90°	0-45°	45-60°	0-45°	45-60°	Asymmetry
Factor	2	1	4	2	1.4	1	2.1	1.5	1
M8	0.6	0.3	1.2	0.6	0.42	0.3	0.63	0.45	0.3
M10	1	0.5	2	1	0.7	0.5	1.05	0.75	0.5
M12	1	0.5	2	1	0.7	0.5	1.05	0.75	0.5
M16	2.24	1.12	4.48	2.24	1.57	1.12	2.35	1.68	1.12
M20	4	2	8	4	2.8	2	4.2	3	2
M24	6.3	3.15	12.6	6.3	4.41	3.15	6.62	4.73	3.15
M30	10.6	5.3	21.2	10.6	7.42	5.3	11.13	7.95	5.3
Factor	1.6	1	3.2	2	1.4	1	2.1	1.5	1
M36	12.8	8	25.6	12.8	11.2	8	16.8	12	8
M42	16	10	32	16	14	10	21	15	10
M45	16	10	32	16	14	10	21	15	10
M48	16	10	32	16	14	10	21	15	10
M56	24	15	48	24	21	15	31.5	22.5	15
M64	24	15	48	24	21	15	31.5	22.5	15