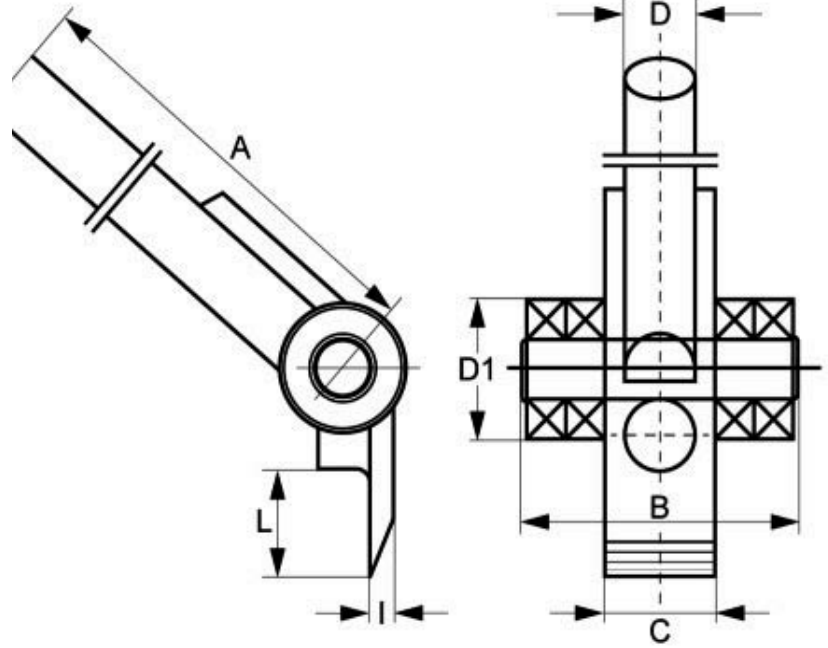




Viper Roller Crowbar Specifications



Model	Capacity	A	B	C	D	D1	L	I	Weight
VRC3	3 tonne	1400mm	136mm	50mm	34mm	62mm	46mm	11mm	9kg
VRC5	5 tonne	1530mm	155mm	65mm	38mm	72mm	55mm	13mm	11kg